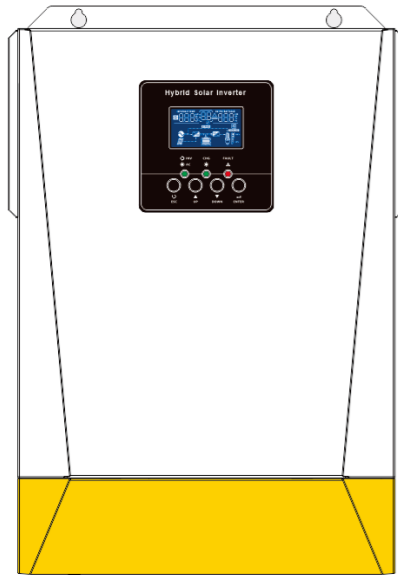


Hybrid Solar Inverter AN-SCI1-5KW 220V/230Vac Output

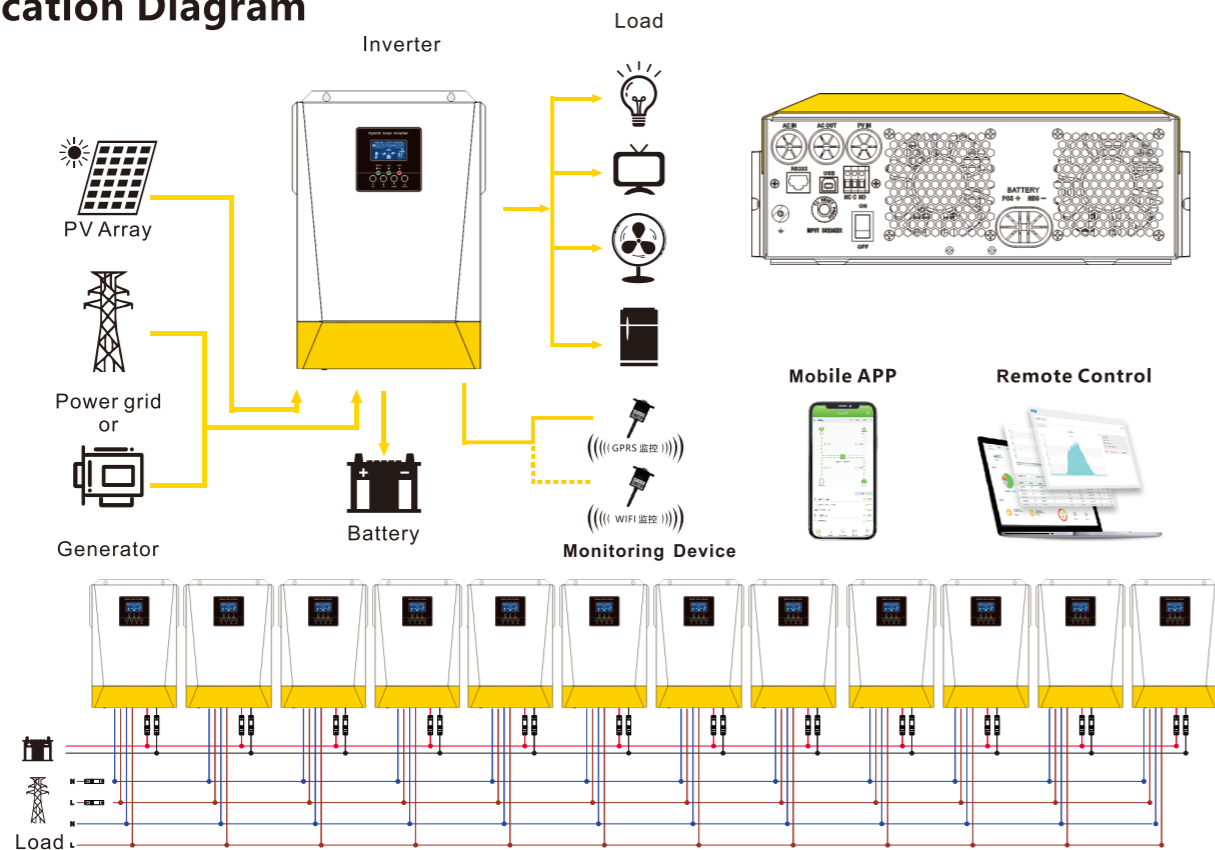


Features

- Pure sine wave solar inverter
- Output power factor 1
- High PV input voltage range
- Built-in MPPT solar controller
- Battery equalization function to optimize battery performance and extend lifecycle
- Inverter running without battery
- Built-in anti-dusk kit for harsh environment
- Parallel operation with up to 12 units, support parallel in 1phase/3phase, support wireless parallel
- Support multiple output priority: UTL, SOL, SBU, SUB
- WiFi/GPRS remote monitoring(Optional)
- RS485 communication for BMS(Optional)

This is a multi-functional inverter/charger, combining functions of inverter, solar charger and battery charger to offer uninterruptible power support in portable size. Its comprehensive LCD display offers user-configurable and easy-accessible button operation such as battery charging current, AC/solar charger priority, and acceptable input voltage based on different applications.

Application Diagram



Technical Data

MODEL	AN-SCI1-5KW
CAPACITY	5KVA/5KW
Parallel Capability	YES,12 units
INPUT	
Nominal Voltage	230VAC
Acceptable Voltage Range	170-280VAC(For personal Computer);90-280VAC(For Home Appliances)
Frequency	50/60 Hz (Auto sensing)
OUTPUT	
Nominal Voltage	220/230VAC±5%
Surge Power	10000VA
Frequency	50/60 Hz
Waveform	Pure Sine wave
Transfer Time	10ms(For personal Computer);20ms(For Home Appliances)
Peak Efficiency (PV to INV)	97%
Peak Efficiency (Battery to INV)	93%
Overload Protection	5s@>=150% load; 10s@110%~150% load
Crest Factor	3:1
Admissible Power Factor	0.6~1 (inductive or capacitive)
BATTERY	
Battery Voltage	48VDC
Floating Charge Voltage	54VDC
OverCharge Protection	63VDC
Charging Method	CC/CV
Solar Charger & AC Charger	
Solar Charger TYPE	MPPT
Max.PV Array Power	5000W
Max. PV Array Open Circuit Voltage	500VDC
PV Array MPPT Voltage Range	120VDC~450VDC
Max. Solar Input Current	18A
Max. Solar Charge Current	80A
Max. AC Charge Current	60A
Max. Charge Current	80A
PHYSICAL	
Dimensions, D x W x H(mm)	420x295x120
Package Dimensions, D x W x H(mm)	560x380x190
Net Weight (Kg)	10
Communication Interface	USB/RS232/Dry-contact
ENVIRONMENT	
Operating Temperature Range	-10°C to 50°C
Storage temperature	-15°C~ 60°C
Humidity	5% to 95% Relative Humidity (Non-condensing)

AN-

Product specifications are subject to change without further notice.