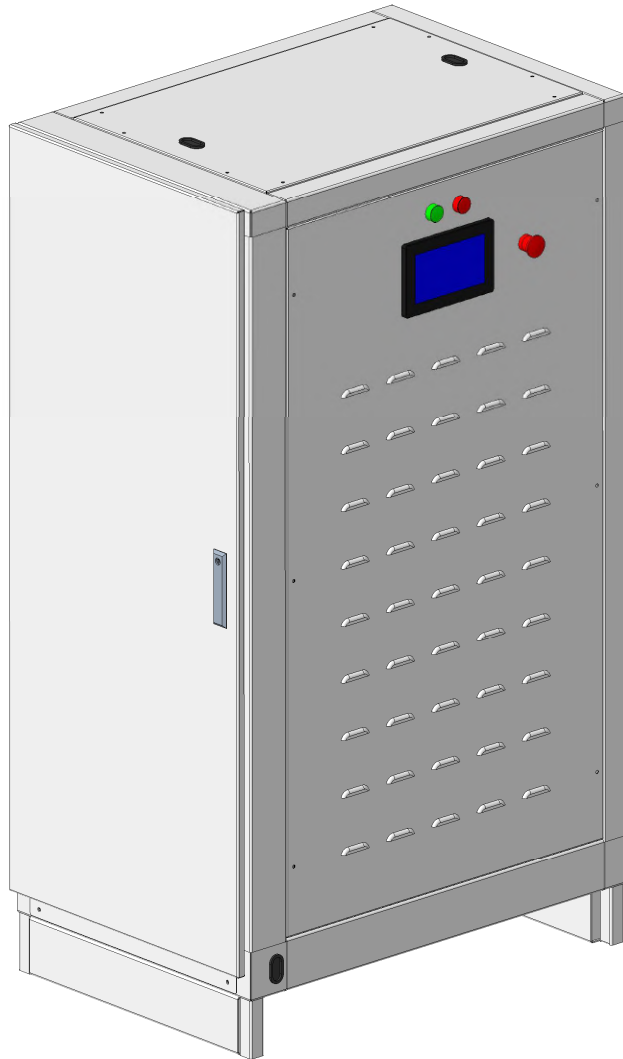




ANERN INDUSTRY GROUP LIMITED

- **192V-302AH (57.984KWh) Cabinet type High-Voltage Lithium Battery Power Storage System**
- **Specification & Datasheet**
- **Issuing Date: 2023-12-07**



I SPECIFICATION:

1. The system is composed of 4 battery modules + 1 PDU + 1 Cabinet
2. System Capacity: 192V 57.984KWH
3. Single Cell: 3.2V 302AH
4. Battery Module: 48V 14.496KWH
5. Battery Module Size: W442*L705*H222mm
6. Cabinet Size: W860*L605*H1482mm

II System Configuration

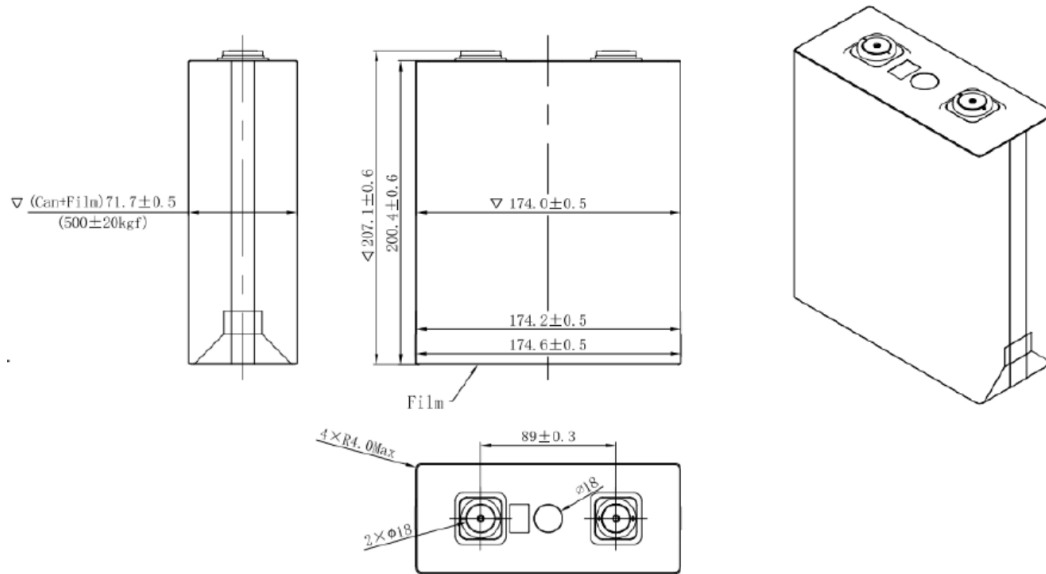
S/N	Parts Name	Quantity	Remark
1	Caster	1	
2	Battery module box	4	
3	PDU box	1	
4	Connectors	12	
5	Communication port	13	

III Process Requirement:

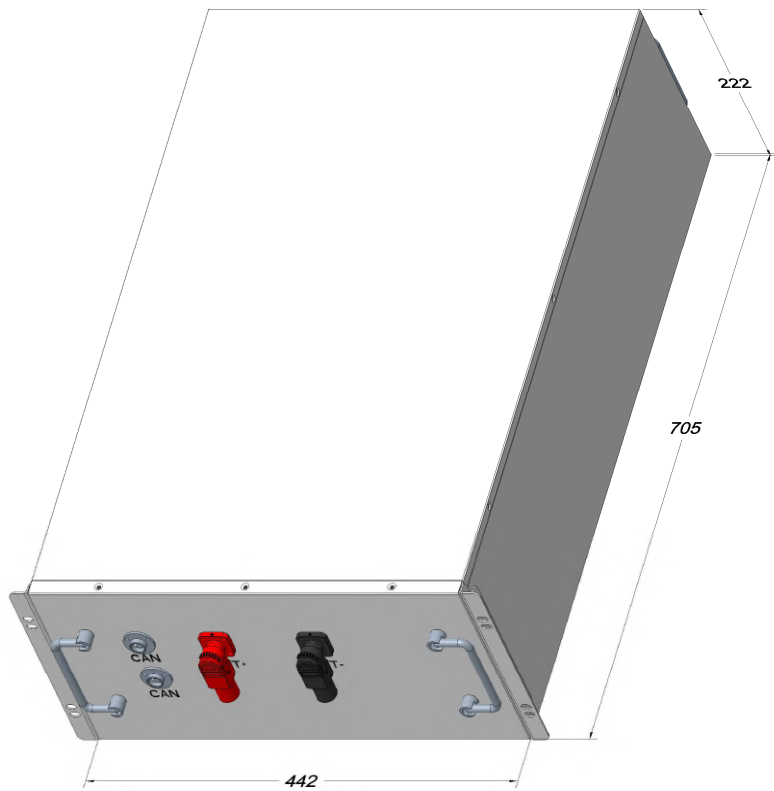
1. Material: SPCC, thickness as per drawing
 2. Surface Treatment: Spray white sand paint
- Remark: Only for: Shell + Connector + Communication port

IV Single Cell

Parameters	Specification	Condition
Rated Capacity	302Ah	1/3C discharge current 25±2°C
Rated Voltage	3.22V	1/3C discharge current 25±2°C
Min. Capacity	302Ah	1C discharge current 25±2°C
Operating Voltage	2.5V-3.65V/2.0V-3.65V	T>0°C / T≤0°C
Cell Internal Resistance (1KHz)	≤0.4mΩ	New cell status, 30%SOC
Standard Charge Current	100.7A	25±2°C
Standard Discharge Current	100.7A	25±2°C
Operating Temperature (Charge)	0-55°C	
Operating Temperature (Discharge)	-30-55°C	

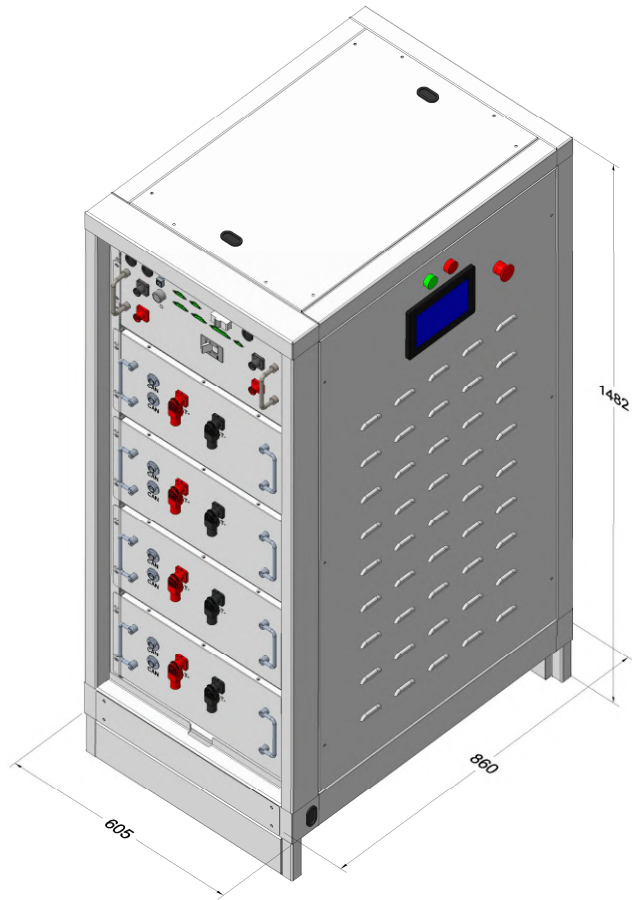


V Standard Battery Module



S/N	Item Name	Parameters
1	Rated Capacity	302AH
2	Rated Voltage	48.0V
3	Rated Power Storage	14.496KWH
4	Standard Charging	CC-CV mode
		Current 60A (0.2C)
		Terminating Current 15A (0.05C)
5	Standard Discharging	CC mode
		Rated discharge current 60A
		Max discharge current 150A
		Terminating voltage 40V
6	Max Discharge Power	7.25KW (0.5CP)
7	Weight	102KG
8	Operating Temperature Range	0-40 Degrees

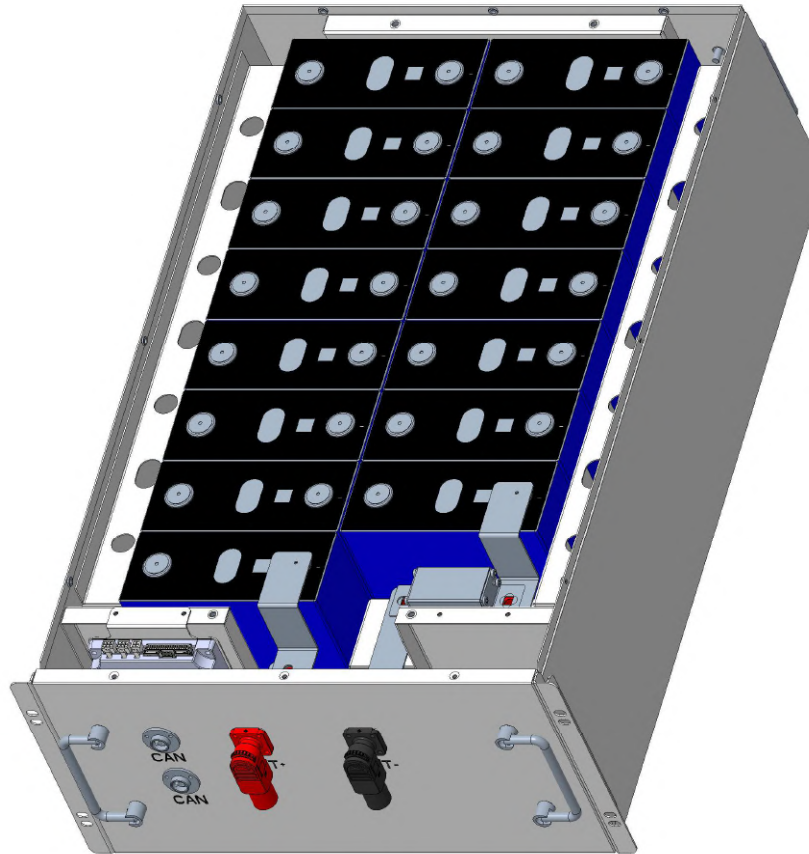
VI Cabinet Specification



S/N	Item Name	Parameters
1	Rated Capacity	302AH
2	Rated Voltage	192V
3	Charge Voltage	219V
4	Rated Power Storage	57.984KWH
5	Standard Charging	CC-CV mode
		Current 60A (0.2C)
		Terminating Current 15A (0.05C)
6	Standard Discharging	CC mode
		Rated discharge current 60A
		Max discharge current 150A
		Terminating voltage 150V
7	Max Discharge Power	29KW (0.5CP)
8	Weight	480KG
9	Operating Temperature Range	0-40 degrees
10	Communication Way	CAN

VII Slave Control Battery Box

Layout Diagram of
15 series/1 parallel battery modules:



VIII Main Control PDU

